

another wiring product by...



# American Autowire

We Make Wiring Easy!!

150 Heller Pl #17 W Bellmawr, NJ 08031 856-933-9301

100% MADE IN U.S.A.!

## INSTALLATION INSTRUCTIONS

This wiring kit is designed for ease of installation. Please read the guidelines below, BEFORE STARTING your installation, to guarantee a successful job!

### STEP 1: DISCONNECT YOUR BATTERY:

Disconnect the battery before installing the wiring kit to prevent any accidental shorting caused by loose bare wire ends.

### STEP 2: MOUNT YOUR PANEL:

It is recommended that you mount your panel under the dash, in the kick panel, or under the front seat.

### STEP 3: START INSTALLING KIT:

This kit is broken down into individual steps that are identified by a letter printed on the instruction sheets visible through each bag. These letters are the order of operation for installing your kit. Start with the bag letter "A", then "B", etc. The order of installation is shown below.

A	500404	Ignition Switch and Starter Wiring Kit
B	500305	Alternator Connection Kit
C	500303	Headlight Switch Kit
D	500302	Steering Column / Turn Signal Connection Kit
E	500328	Gauge Connection Kit (Sending Unit Side)
F	500410	Accessory Connection Kit
G	500306	Gauge Feed Kit
H	500077	Gauge Connection Kit (Gauge Side)

### STEP 4: RECONNECT YOUR BATTERY:

When you have completed the installation and are ready to reconnect the battery, make sure that the following electrical system grounds are in place:

- A. Battery is grounded to the ENGINE BLOCK.
- B. Battery is grounded to the frame.
- C. Engine block is grounded to the frame.
- D. Body is grounded to the frame.

### STEP 5: CHECK ALL ELECTRICAL FUNCTIONS:

Any non-functioning items should be checked for proper installation. Any problems with your wiring and electrical circuit functions should be addressed to American Autowire Systems, Inc. as soon as possible to avoid any warranty problems.

If you have any questions concerning this or any of our products, please feel free to call us at 1-800-482-WIRE.

**"AMERICAN AUTOWIRE MAKES IT EASY !!"**

also available from  
American Autowire

Hood & trunk lights  
 Door jamb switches  
 Custom battery cables  
 Master disconnect switch  
 Daytime running light module  
 High quality 100 amp alternators  
 Terminals, connectors, grommets, light sockets  
 Adjustable Fuel Warning Module  
 Billet turn signal switch  
 Neutral safety switch  
 Glove box light  
 LED lights  
 ...AND MUCH MORE !

## OPTIONAL ACCESSORY KITS

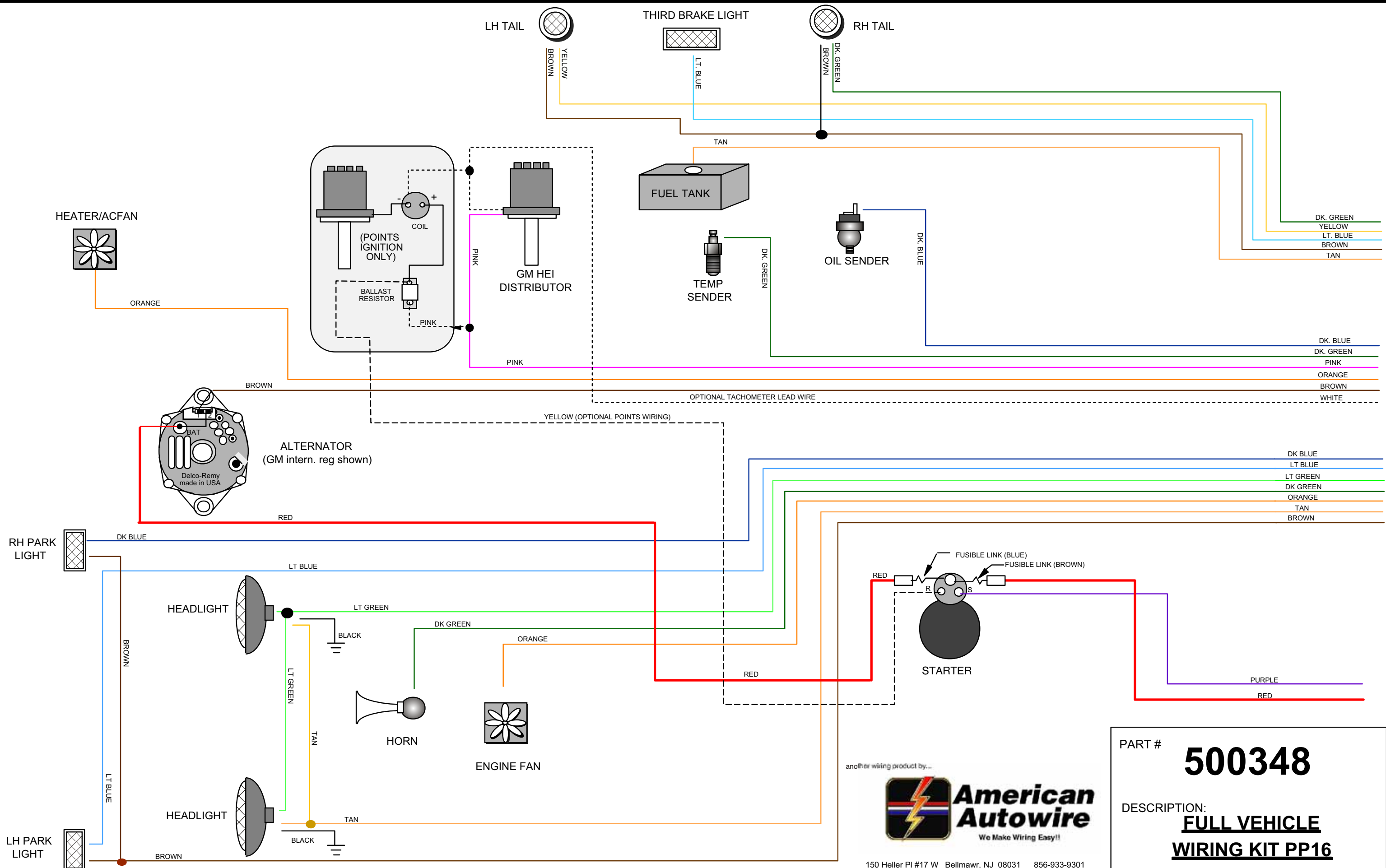
Adjustable Fuel Warning Module	p/n 500274	Sets a warning light or activates a relay at preset fuel level.
Anti-Theft Relay Kit	p/n 500239	Relay control of starter circuit.
Brake Light switch Kit	p/n 500111	Relay control of brake lights using hydraulic brake switches.
Brake Switch	p/n 500097	Button type, 2 blade contact to operate brake lights
Brake Switch	p/n 500145	Button type, 4 blade contact to operate brake lights and cruise control
Brake Switch	p/n 500098	Lever type, water resistant
Brake Switch	p/n 500240	Adjustable lever design, water resistant
Courtesy Light Kit	p/n 500081	Under dash lighting harness complete with mountable lamp sockets
Dual Relay Kit	p/n 500338	Use for any two heavy circuits, complete with mounting legs.
Fan Relay Kit (non Temp controlled)	p/n 500067	Complete Kit wired with relay and fuse.
Fan Relay Kit (Temp controlled 212 )	p/n 500084	Complete Kit wired with relay, fuse, and temperature sender.
Fan Relay Kit (Temp controlled 238 )	p/n 500141	Complete Kit wired with relay, fuse, and temperature sender.
Headlight Connection Kit	p/n 500113	Special kit for difficult headlight mount applications.
Neutral Safety switch (GM )	p/n 500104	GM TH400, TH350, 700R4.
Neutral Safety switch (Ford)	p/n 500104	Ford C-4, C-6.
Universal Relay Kit	p/n 500142	Use for any heavy duty application requiring a relay.
Voltage Reducer Module	p/n 500222	Constant 12 volt to 6 volt electronic module for 6 volt needs.
Wiper Switch	p/n 500146	Two speed switch for wiper.

PART #

# 500348

DESCRIPTION:

## FULL VEHICLE WIRING KIT PP16



150 Heller Pl #17 W Bellmawr, NJ 08031 856-933-9301

PART # **500348**

DESCRIPTION: **FULL VEHICLE WIRING KIT PP16**

another wiring product by...

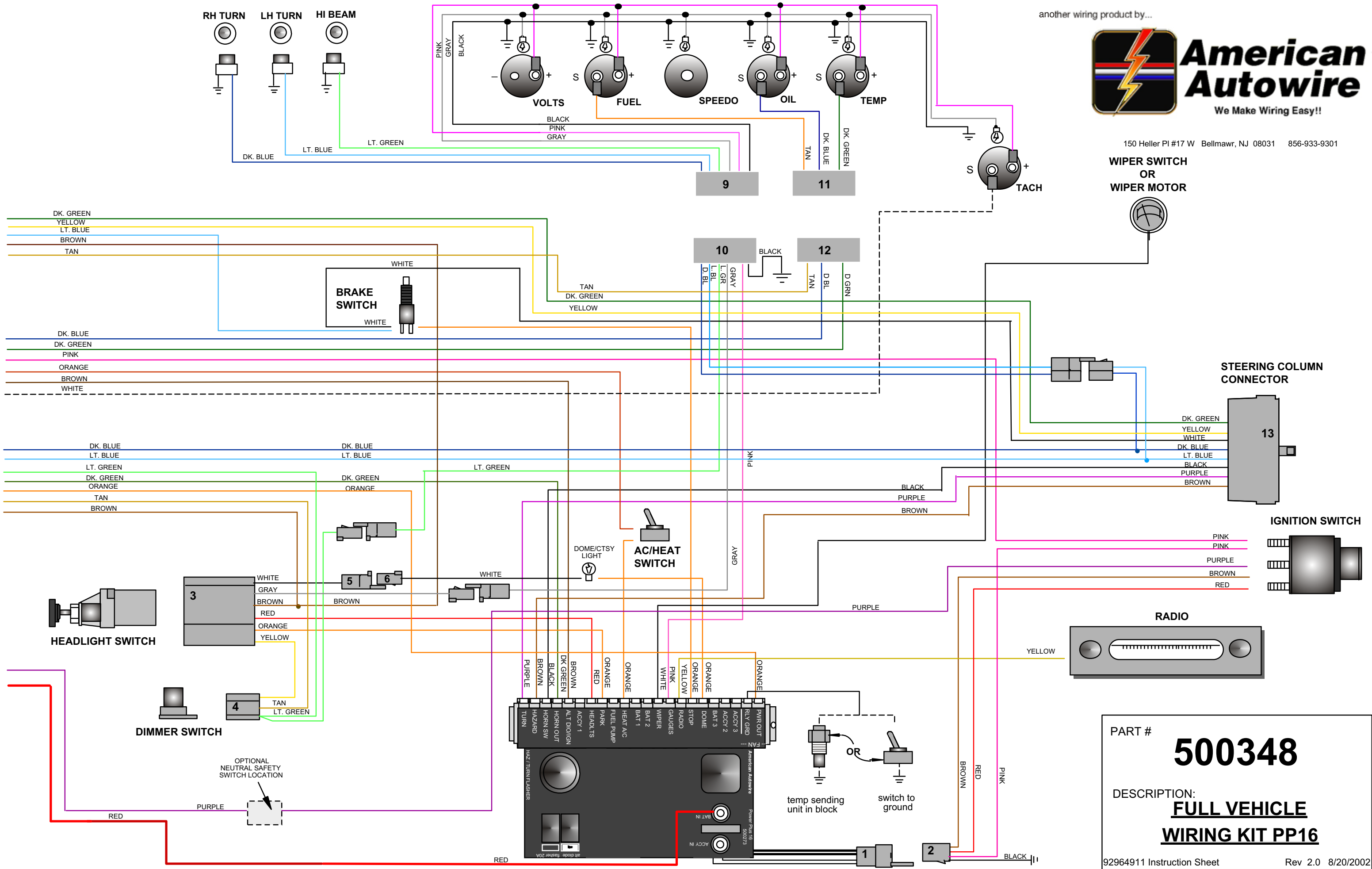


# American Autowire

We Make Wiring Easy!!

150 Heller Pl #17 W Bellmawr, NJ 08031 856-933-9301

WIPER SWITCH  
OR  
WIPER MOTOR



PART #

# 500348

DESCRIPTION:

## FULL VEHICLE WIRING KIT PP16

92964911 Instruction Sheet

Rev 2.0 8/20/2002